

AX LiCom BOX

Extension set

As a specialized communication interface between a multifunctional inverter AX M1 and AX K1 4000W/5000W / 48 V and a Pylontech lithium battery, the AX LiCom Box enables optimized communication between the inverter and the lithium battery. As a result, the capacity of the lithium battery can be used up to 40% more effectively.

This special communication enables the Pylontech BMS (battery management system) to perfectly set and monitor the charging voltage, charging current, battery discharge end voltage and maximum discharge current according to the parameters of the lithium battery.

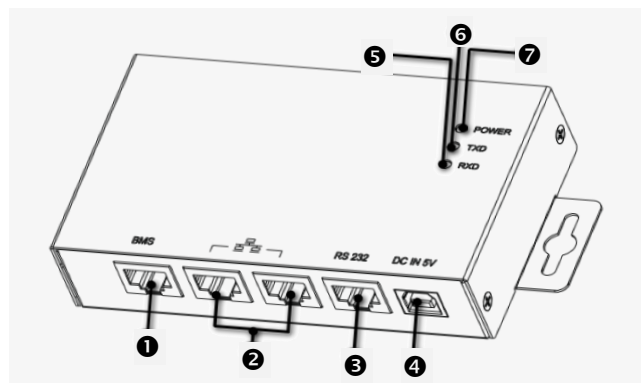
Furthermore, the inverter can be monitored on a PC / laptop using the additionally available interface via a special communication cable supplied.



Details

- ❶ RS485 BMS interface to the battery
- ❷ RS485 communication interface
- ❸ RS232 interface to the inverter
- ❹ 5V DC input
- ❺ RS232 RXD LED
- ❻ RS232 TXD LED
- ❼ Power LED

Connections / LEDs: description above, right view



Other features / functions:

- BMS (battery management) of the battery is master (controls and monitors charging properties)
- Only one communication box is required even for several batteries
- Balancing equalizes individual cell voltages to the same level (increases battery life)
- Increased discharge capacity of the lithium battery
- All required cables are specially assembled and are supplied together with a power supply